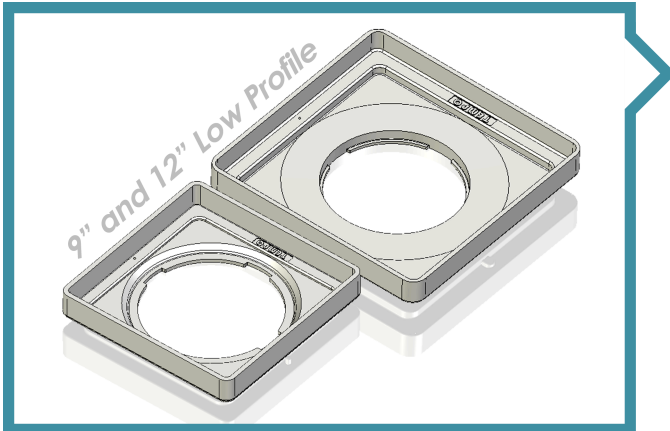


SQUARE LOW PROFILE BASINS: 9" AND 12"

For more info, visit our website at www.tempoinc.com.



Features:

- Manufactured from High Impact Polystyrene (HIPS).
- UV stabilized to protect from sun degradation.
- One bottom opening designed to accept Basin Adapters (ABA34 and ABA6).
- Use a 3" and 4" Basin Adapter (ABA34) to connect to 3" & 4" Sewer & Drain Pipe (ASTM D2729), 3" & 4" Corrugated Pipe and 3" & 4" Triple Wall Pipe.
- Use a 6" Basin Adapter (ABA6) to connect to 6" PVC Pipe (ASTM D2729 and ASTM D3034, SDR 35) and 6" Corrugated Pipe.
- Accepts 9" and 12" Square Flat and Square Atrium Grates.
- Includes 2 screw holes to enable grates to be secured to basin.
- Made in the USA.

Part No.	Description	Inlet (Top) Accepts	Outlet (Bottom) Fits	Number of Outlets
BS9LP	9" Low Profile Basin, Black	9" Square Flat and Atrium Grates	Basin Plug (ABP), 3" & 4" Basin Adapter (ABA34), and 6" Basin Adapter (ABA6)	1
BS12LP	12" Low Profile Basin, Black	12" Square Flat and Atrium Grates	Basin Plug (ABP), 3" & 4" Basin Adapter (ABA34), and 6" Basin Adapter (ABA6)	1