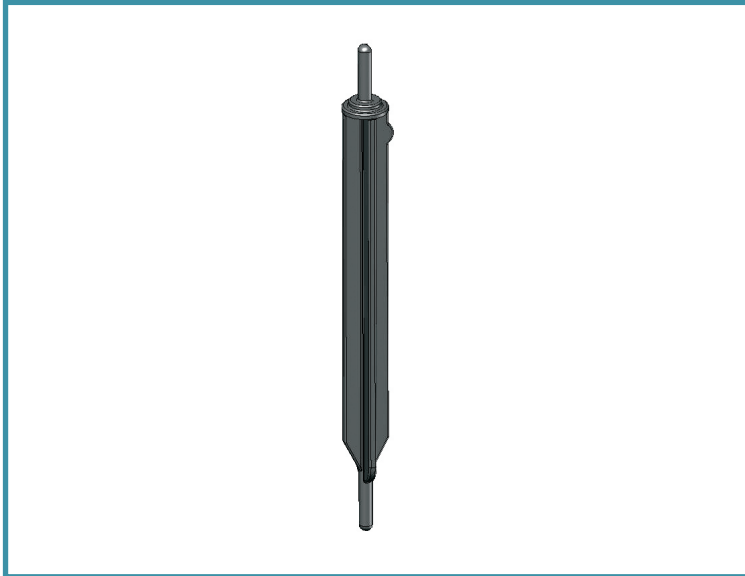


# Spray Sticks

For more info visit our website [www.tempoinc.com](http://www.tempoinc.com)

## Features:



- Robust rigid 5" spray stick.
- Available with flow rates from 2 to 17 gph.
- 90° or 160° downward spray pattern.
- Can be used with 1/8" tubing (0.125" ID x 0.185" OD).
- Can be shut off when not in use by removing tubing from inlet and re-connecting tubing to bottom plug.
- Color coded.
- Manufactured from engineering grade resin.
- Made in USA.

Part No.	Description	Color Code	Connection	Max Pressure
ESS160BL	160° High Flow Spray Stick	Black	1/8"	25 psi
ESS160DG	160° Medium Flow Spray Stick	Green	1/8"	25 psi
ESS160AV	160° Low Flow Spray Stick	Avocado	1/8"	25 psi
ESS160TC	160° Mini Flow Spray Stick	Terracotta	1/8"	25 psi
ESS90BR	90° Low Flow Spray Stick	Brown	1/8"	25 psi
ESS90C	90° Mini Flow Spray Stick	Grey	1/8"	25 psi

## DISCHARGE RATES (GPH)

Part No.	Spray Pattern	15 psi			25 psi		
		Discharge Rates (GPH)	Max # of Spray Sticks		Discharge Rates (GPH)	Max # of Spray Sticks	
			0.600" ID Tubing	0.840" ID Tubing		0.600" ID Tubing	0.840" ID Tubing
ESS160BL	160°	12.6 gph	20	40	17.4 gph	15	29
ESS160DG	160°	9.6 gph	27	52	13.2 gph	19	38
ESS160AV	160°	5.4 gph	48	93	7.2 gph	36	70
ESS160TC	160°	3.6 gph	73	140	4.8 gph	54	105
ESS90BR	90°	5.4 gph	48	93	7.8 gph	33	64
ESS90C	90°	2.4 gph	110	211	3.6 gph	73	140